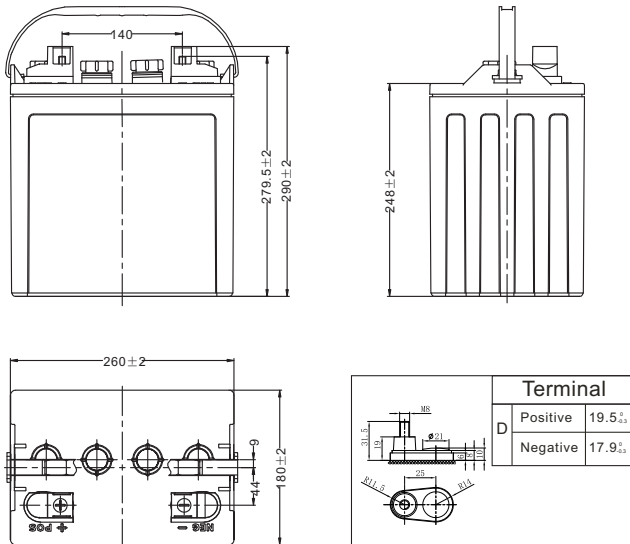


# DT SERIES FLOODED BATTERY

## DT896 (8V190Ah)



### CHARACTERISTICS

Item	Specifications	
Voltage	8V	
Dimension	Length	260mm (10.2inches)
	Width	180mm (7.09inches)
	Container Height	248mm (9.76inches)
	Total Height	279.5mm (11.0inches)
Approx Weight	31.5kg (69.4lbs)	
Terminal	DT-M8(A)	
Container Material	PP	
Rated Capacity	20HR	190Ah
	5HR	155Ah
Reserve Capacity	25A	340min
	56A	132min

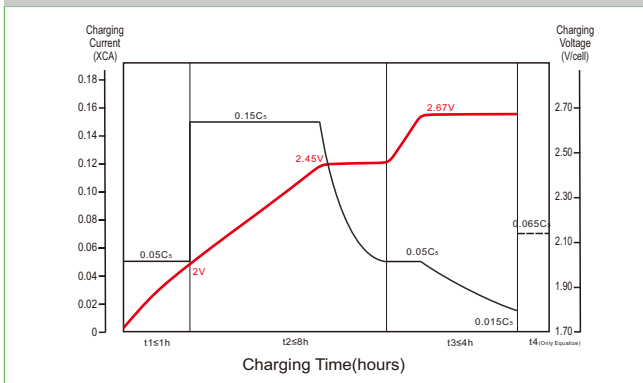
### GENERAL FEATURES

- Long cycle service life, strong recovery ability of deep discharge
- Low risk of thermal runaway, easy maintenance
- High energy, low internal resistance, low self-discharge
- Reliable sealing structure ensures no leakage during use
- Special design and structure increase battery performance
- The special alloy improves the corrosion resistance of the plate increases the service life and good deep discharge performance

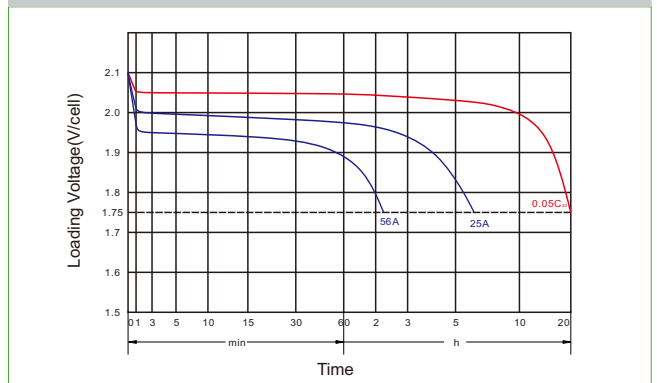
### APPLICATIONS

- Electric vehicle
- Cleaning equipment
- Golf cart
- AWP
- Sightseeing bus
- Marine&RV

### Charging Characteristics



### Discharge Characteristics



Designed in compliance with applicable BCI standard.  
Tested in compliance to BCI standard.

Leoch International Technology Ltd.  
www.leoch.com

Leoch Batteries Pte Ltd  
www.leoch.sg

Leoch Battery Corporation  
www.leoch.us

Leoch Europe S.A.  
www.leoch.eu